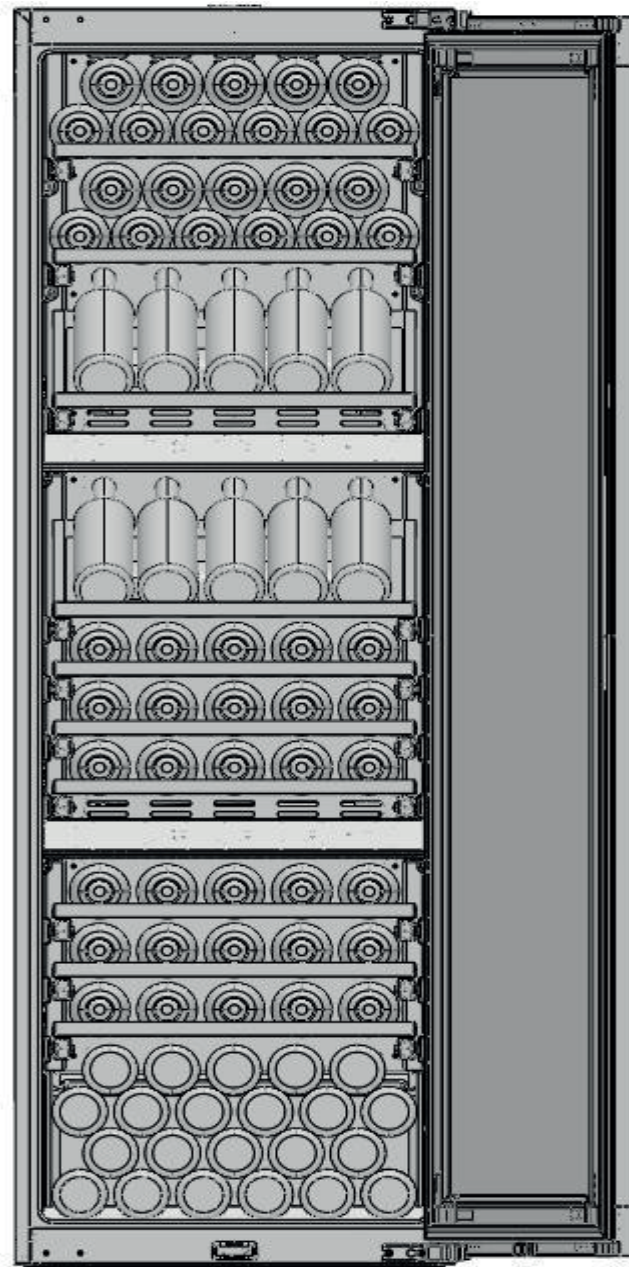


## WE3-256BI Wine cooler



# Contents

	Page
Safety Information.....	4-
11	
Types of Safety Warnings.....	4
General Safety.....	5-7
Save These Instructions.....	8
Disposal of Old Appliance .....	8
Before Using Your Appliance .....	9
Installation of Your Appliance.....	9-10
Attention.....	10
Electrical Connection .....	11
Introduction.....	12
List of Materials.....	13
Product Specifications.....	14-15
Product Summary .....	14-15
Internal Storage.....	14-15
Parts Identification .....	16
Dimensions.....	17-18
Reversing the Door Swing of Your Appliance .....	19
Installation Instructions .....	20-21
Removing the Wooden Shelves.....	22
Operating Your Appliance.....	23-24
Using the Control Panel.....	23
Defrosting.....	24
Care and Maintenance .....	25-26
Normal Sounds.....	25
Cleaning the Unit .....	25
Power Failure .....	26
Moving Your wine Cooler.....	26
Energy Saving Tips.....	26
Troubleshooting.....	27-28

## Safety Information

Thank you for purchasing this product.

Before using your product, please carefully read this instruction manual in order to maximize its performance. Store all documentation for subsequent use or for other owners. This product is intended solely for household use or similar applications such as:

The kitchen area for personnel in shops, offices and other working environments

On farms, by clients of hotels, motels and other environments of a residential type  
At bed and breakfasts(B&B)For catering services and similar applications not for retail sale.

This appliance must be used only for purposes of storage of wine, any other use is considered dangerous and the manufacturer will not be responsible for any omissions. Also, it is recommended that you take note of the warranty conditions.

**Your safety and the safety of others are very important. We have provided many important safety messages in this manual for your appliance. Always read and obey all safety messages.**

**This is the Safety Alert Symbol. This symbol alerts you to potential hazards that can cause severe bodily injury or death. All safety messages will follow the Safety Alert Symbol and either the words "DANGER" "WARNING" or "CAUTION"**

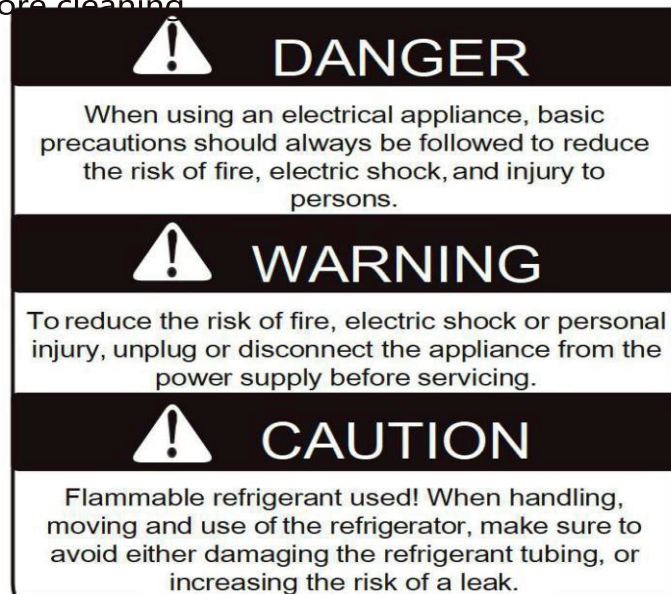


# Safety

For your safety, read all instructions carefully before operating the appliance.

## General Safety

- ▶ Use this appliance only as described in this manual. Other uses not recommended may cause fire, electric shock or personal injury.
- ▶ This appliance is not intended for use by persons (including children) with reduced physical, sensory or mental capabilities, or lack of experience and knowledge, unless they have been given supervision or instruction concerning use of the appliance by a person responsible for their safety.
- ▶ This appliance can be used by children aged from 8 years and above and persons with reduced physical sensory or mental capabilities or lack of experience and knowledge if they have been given supervision or instruction concerning use of the appliance in a safe way and understand the hazards involved. Children shall not play with the appliance. Cleaning and user maintenance shall not be made by children without supervision. (EU)
- ▶ Keep the appliance and its cord out of reach of children less than 8 years. (EU).
- ▶ To protect against the risk of electric shock, NEVER IMMERSE the unit, cord, or plug in water or spray any other liquid.
- ▶ Unplug the appliance from the plug socket when not in use, when moving from one location to another and before cleaning.





## Safety Information

For your safety, read all instructions carefully before operating the appliance.

- ▶ To disconnect the appliance, grip the plug and pull it from the wall outlet. Never pull by the cord.
- ▶ Never operate the appliance in the presence of explosive and/or flammable fumes.
- ▶ Never place the appliance or any of its parts near an open flame, cooking or other heating appliance.
- ▶ Never operate the appliance with a damaged cord or plug, if the product malfunctions, or if it is dropped or damaged in any manner.
- ▶ The use of attachments not recommended by the manufacturer may be hazardous.
- ▶ Never operate if the housing is removed or damaged.
- ▶ A loose fit between the AC outlet (receptacle) and plug may cause overheating and a distortion of the plug. Contact a qualified electrician to replace loose or worn outlet.
- ▶ Locate the unit away from direct sunlight and sources of heat (stove, heater, radiator, etc.).
- ▶ This appliance is CFC and HFC free and contains small quantities of Isobutane (R600a), an environmentally friendly coolant.



Warning; Risk of fire / flammable materials

- ▶ You must ensure that the cooling circuit is undamaged when installing the appliance. However, if it becomes damaged, avoid proximity to open fires and heat sources of all kinds. The room in which the appliance is located should be ventilated properly and according to state and local codes.
- ▶ Never use an appliance with a damaged circuit.
- ▶ Ensure that the ventilation openings to and from a built-in appliance are never blocked or covered.
- ▶ No liability will be accepted for any damage caused by misuse of the appliance, or as a result of repairs carried out by unqualified person. In this case neither the warranty nor any other liability claims will apply.

## Safety

For your safety, read all instructions carefully before operating the appliance.



### WARNING

Never operate any other electrical appliance inside this appliance.

- ▶ Never attempt to repair or replace any part of your appliance unless it is specifically recommended in this manual. All other servicing should be referred to a qualified technician.
- ▶ Replace all access panels before operating.
- ▶ Use two or more people to move and install the appliance. Failure to do so can result in back or other injury.
- ▶ Never clean appliance parts with flammable liquids. These fumes can create a fire hazard or explosion. Never store or use gasoline or other flammable vapors and liquids in the vicinity of this or any other appliance. The fumes can create a fire hazard or explosion.
- ▶ Never connect or disconnect the electric plug with wet hands.
- ▶ It is recommended that a separate circuit, serving only your appliance be provided. Use receptacles that cannot be turned off by a switch or pull chain.



### WARNING

To reduce the risk of fire, electric shock or personal injury, unplug or disconnect the appliance from the power supply before servicing.

## Safety Information

For your safety, read all instructions carefully before operating the appliance.

### Save These Instructions

If you are experiencing problems, check the Troubleshooting Guide at the back of this manual. It lists causes of minor operating problems that you can correct yourself.

### Disposal of Old Appliance

Dispose of your appliance packaging properly. Refrigeration equipment must be properly disposed of in a way which protects the environment. This applies to your old appliance and to your new unit once it has reached the end of its service life.



## WARNING

Please ensure that old, worn appliances are rendered unusable before disposal by removing the plug, cutting the power cable, and removing or destroying any snap fastenings or bolts. You will thus prevent children from locking themselves in the appliance during play (risk of suffocation) or endangering their lives in any other way.

- ▶ The appliance must not be disposed with normal household waste collection.
- ▶ The coolant circuit, particularly the heat exchange at the back/bottom of the unit, must not be damaged.
- ▶ The symbol on the product or its packaging indicates that this product is not to be handled as normal household waste but is to be taken to a recycling collection point for electrical and electronic goods. By correctly disposing of this product you are contributing to the protection of the environment. Improper disposal endangers health and the environment. Further information about the recycling of the product may be obtained from your town hall or local waste collection department.

# Safety

For your safety, read all instructions carefully before operating the appliance.

## Before Using Your Appliance

- ▶ Remove all exterior and interior packing.
- ▶ Before connecting the appliance to the power source, let it stand upright for approximately 2 hours. This will reduce the possibility of a malfunction in the cooling system caused by handling during transportation.
- ▶ Clean the interior surface with warm water using a soft cloth.
- ▶ The door on this appliance can be opened from either the left or the right side. The unit is delivered with the door opening on the left side. Should you wish to open the door from the right, follow the instructions, "Reversing the Door Swing of your Appliance," listed below.

## Installation of Your Appliance



### WARNING

Do not store or install the appliance outdoors.

- ▶ The appliances are designed for either built-in, or free-standing installation.
- ▶ Place your appliance on a floor that is strong enough to support it when it is fully loaded. To level your appliance, adjust the 4 legs until level.
- ▶ Locate the appliance away from direct sunlight and sources of heat (stove, heater, radiator, etc.). Direct sunlight may affect the acrylic coating and heat sources may increase electrical consumption. Extreme cold ambient temperatures may also cause the unit not to perform properly.
- ▶ Never place the unit in damp areas.
- ▶ Plug the appliance into an exclusive, easily accessible electrical socket.
- ▶ Any questions concerning power and/or electrical connection should be directed towards a qualified electrician or an authorized products service center.
- ▶ The air vent at the front of the appliance must never be covered or blocked in any way.

# Safety

For your safety, read all instructions carefully before operating the appliance.

- ▶ The appliance must be installed to all electrical connections in accordance with state and local codes.
- ▶ Use two or more people to move and install the beverage cooler. Failure to do so can result in back or other injury.
- ▶ The cooler may experience decreased cooling efficiency if air flow is restricted due to a fully loaded cabinet.
- ▶ Install the beverage cooler in a well-ventilated area where the ambient temperature is above 50°F and below 90°F.

## Attention

- ▶ Never overload the cabinet.
- ▶ Never open the door unless necessary.
- ▶ Never cover shelves with aluminum foil or any other shelf material which may prevent air circulation.
- ▶ Should the appliance be left empty for long periods, it is suggested that the appliance be unplugged, and, after careful cleaning, leave the door ajar to allow air to circulate inside the cabinet in order to avoid possible condensation, mold or odors from forming.



## Safety

For your safety, read all instructions carefully before operating the appliance.

### Electrical Connection

Check that the voltage marked on the product corresponds with your supply voltage.



### WARNING

Improper use of the grounded plug can result in the risk of electrical shock. If the power cord is damaged, have it replaced by a qualified electrician or an authorized service center.

This appliance should be properly grounded for your safety. The power cord of this appliance is equipped with a three-pin plug which mates with standard three-pin wall outlets to minimize the possibility of electrical shock.

Never under any circumstances cut or remove the third ground prong from the power cord supplied. For personal safety, this appliance must be properly grounded.

Have the wall outlet and circuit checked by a qualified electrician to make sure the outlet is properly grounded. When a standard two-pin wall outlet is encountered, it is your responsibility and obligation to have it replaced with a properly grounded three-pin wall outlet.

To prevent accidental injury, the cord should be secured behind the appliance and not left exposed or dangling.

The appliance should always be plugged into its own individual electrical outlet which has a voltage rating that matches the rating label on the appliance. This provides the best performance and also prevent overloading wiring circuits that could cause a fire hazard from overheating. Never unplug the appliance by pulling the power cord. Always grip the plug firmly and pull straight out from the receptacle. Repair or replace immediately all power cords that have become frayed or otherwise damaged. Never use a cord that shows cracks or abrasion damage along its length or at either end. When moving the appliance, be careful not to damage the power cord.

Never use your appliance with an extension cord unless this cord has been checked and tested by a qualified technician or service person. The extension cord must be a UL/CUL Listed, 3-wire grounding extension cord that has a grounding plug and outlet and that the electrical rating of the cord is 115 volts and at least 10 amperes.

# Introduction

Thank you for purchasing your Wine cooler.

This manual contains important information regarding the proper installation, use, and maintenance of your Wine cooler. Following this manual will ensure that your product will work at its peak performance and efficiency.

## For Your Records

Please write down the model number and serial number below for future reference. Both numbers are located on the rating label on the back of your unit and are needed to obtain warranty service. You may also want to staple your receipt to this manual as it is the proof of your purchase and may also be needed for service under warranty.

Model Number:

Serial Number:

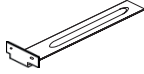
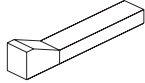
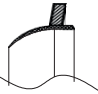
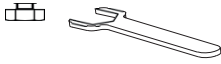





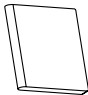
Date of Purchase:

To better serve you, please do the following before contacting customer service:

If you received a damaged product, immediately contact the retailer or dealer that sold you the product.

- ▶ Read and follow this instruction manual carefully to help you install, use and maintain your wine cooler.
- ▶ Read the troubleshooting section of this manual as it will help you diagnose and solve common issues.

## List of Materials

Quantity	Part	WE3-266BI
	connection pin	2
	Coupling pin cover	2
	seal strip	1
	ottom Angle Adjustment Wrench	1
	M5x13 flange face bolts	4
	3.9x16 T20 Screws	11
	M5x16 pan head bolts with washers	1
	M5x30 bolts	2
	St4x35 countersunk head black screws	8
	User manual	1



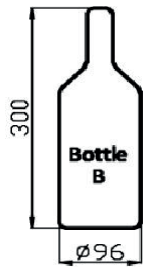
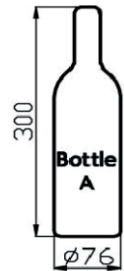
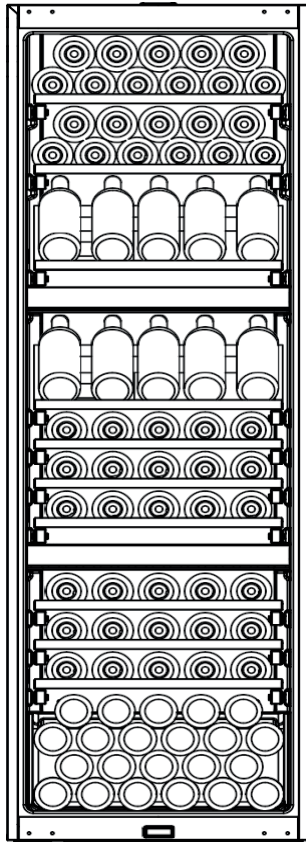
## Product Summary

This appliance requires a standard 220 Volt AC~50Hz electrical ground outlet.

DESCRIPTION OF PRODUCT	wine cooler
MODEL	WE3-256BI
VOLTAGE/FREQUENCY	AC 220/50Hz
AMPERAGE	0.8A
COLOR	Black or Grey
STORAGE CAPACITY*	88 & 104Bottles
REFRIGERANT	R600a
TEMPERATURE RANGE	5°C-20°C
DIMENSIONS (HxWxD)	1771x556x550mm

\*Storage capacity is based on standard 12 oz. cans and 750 ml. Bordeaux-style wine bottles.

## Internal Storage WE3-256BI

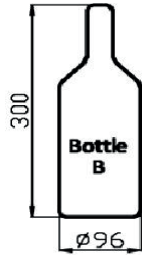
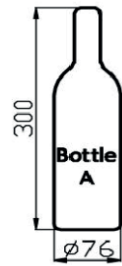
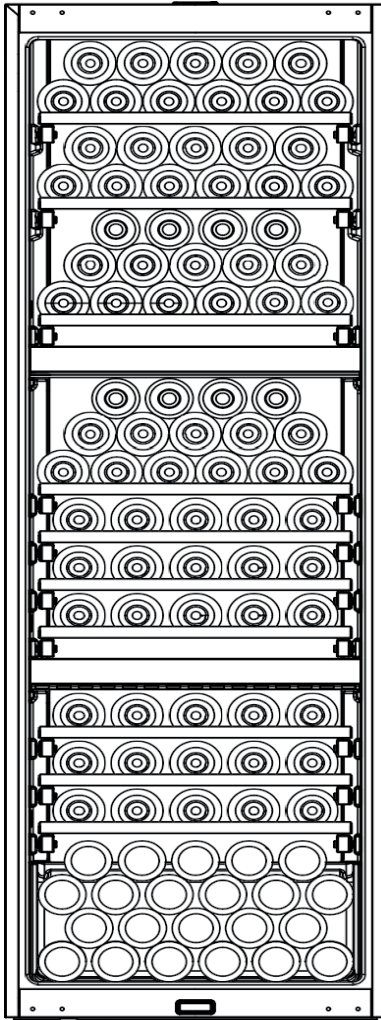


Load capacity		Bottle storage (Bottle A)	Bottle storage (Bottle B)
Upper zone	1	11	\
	2	11	\
	3	7	\
Middle zone	1	7	\
	2	5	\
	3	5	\
	4	5	\
Lower zone	1	5	\
	2	5	\
	3	5	\
	4	\	22
Total		66	22



# Product Specifications

## Internal Storage WE3-256BI

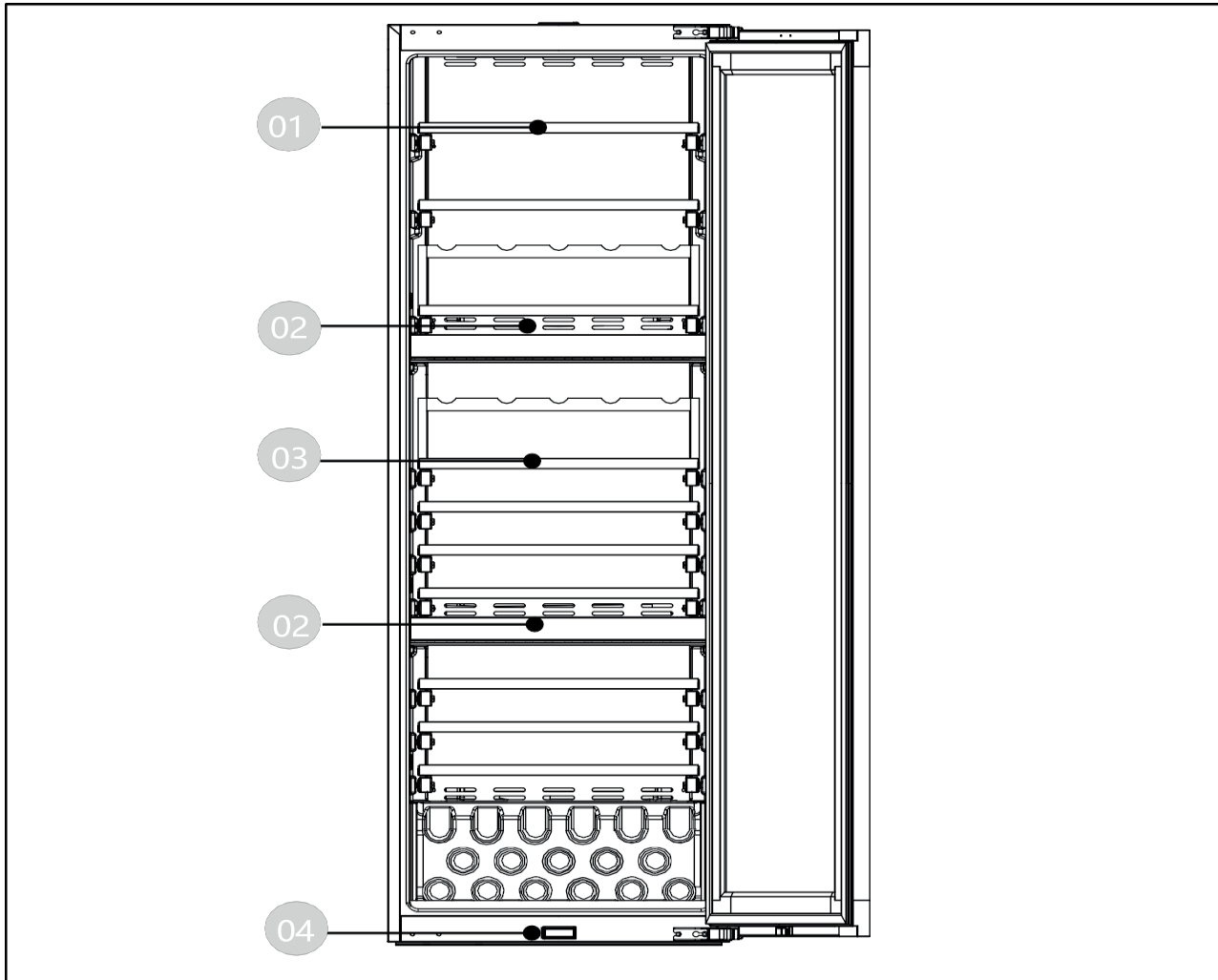


Load capacity		Bottle storage (Bottle A)	Bottle storage (Bottle B)
Upper zone	1	11	\
	2	11	\
	3	11	4
Middle zone	1	11	4
	2	5	\
	3	5	\
	4	5	\
Lower zone	1	5	\
	2	5	\
	3	5	\
	4	\	22
Total		74	30



# Product

## Parts Identification



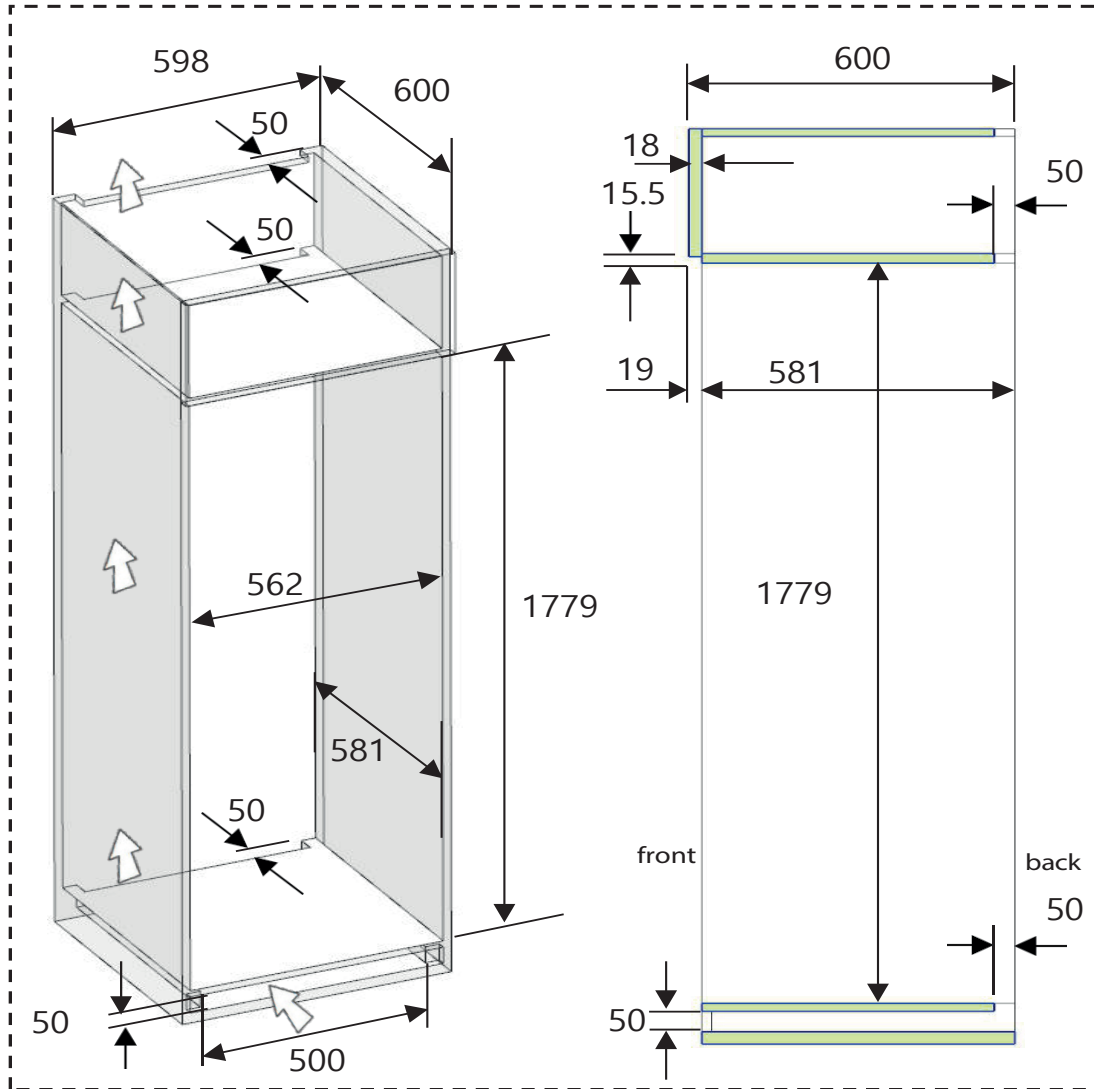
**01** Wine Shelf A  
**03** Wine Shelf B

**02** Control Panel & Compartment Wall  
**04** Electromagnetic Switch

# Installation

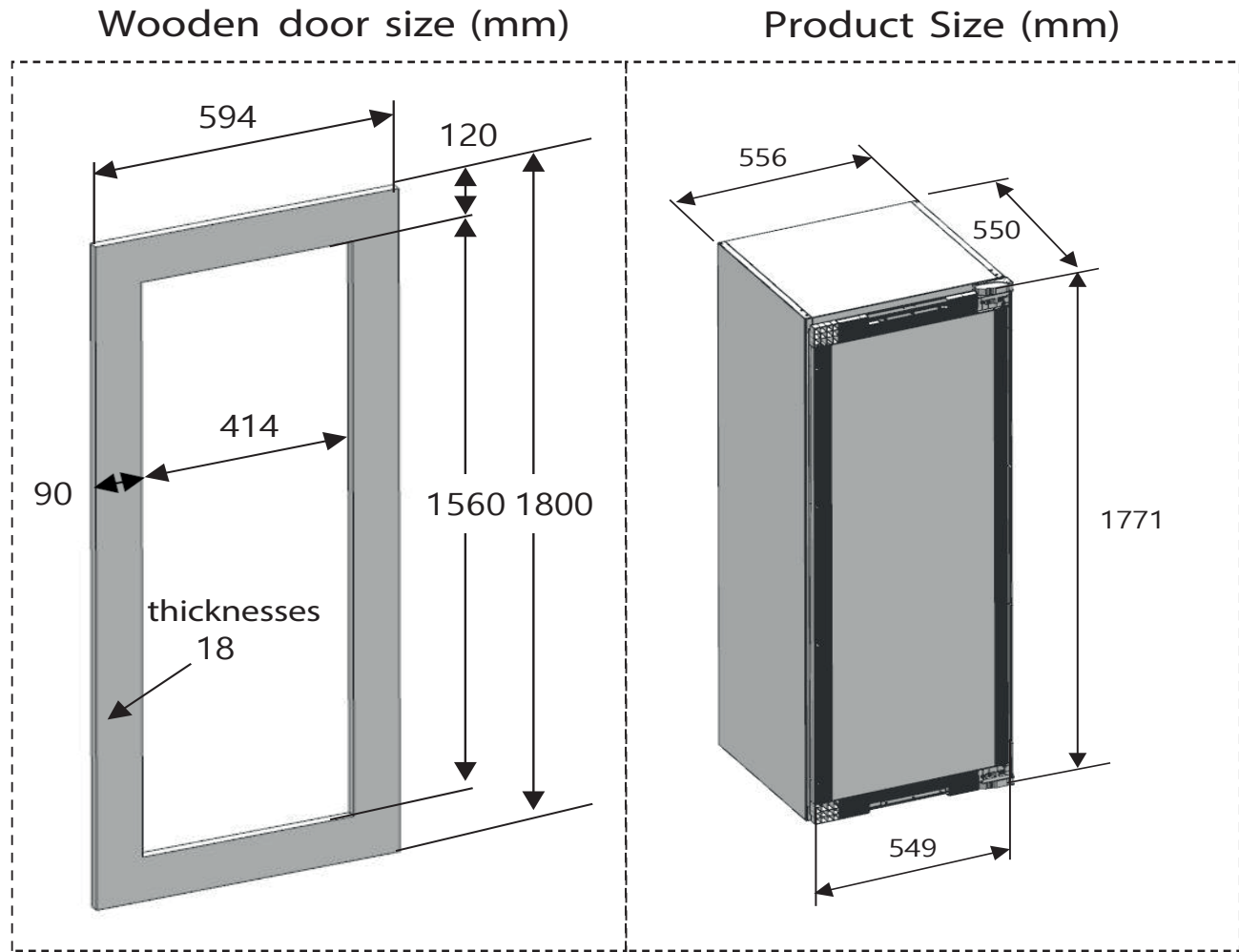
## Dimensions WE3-256BI

### Cabinet Size (mm)



# Installation

## Dimensions WE3-256BI



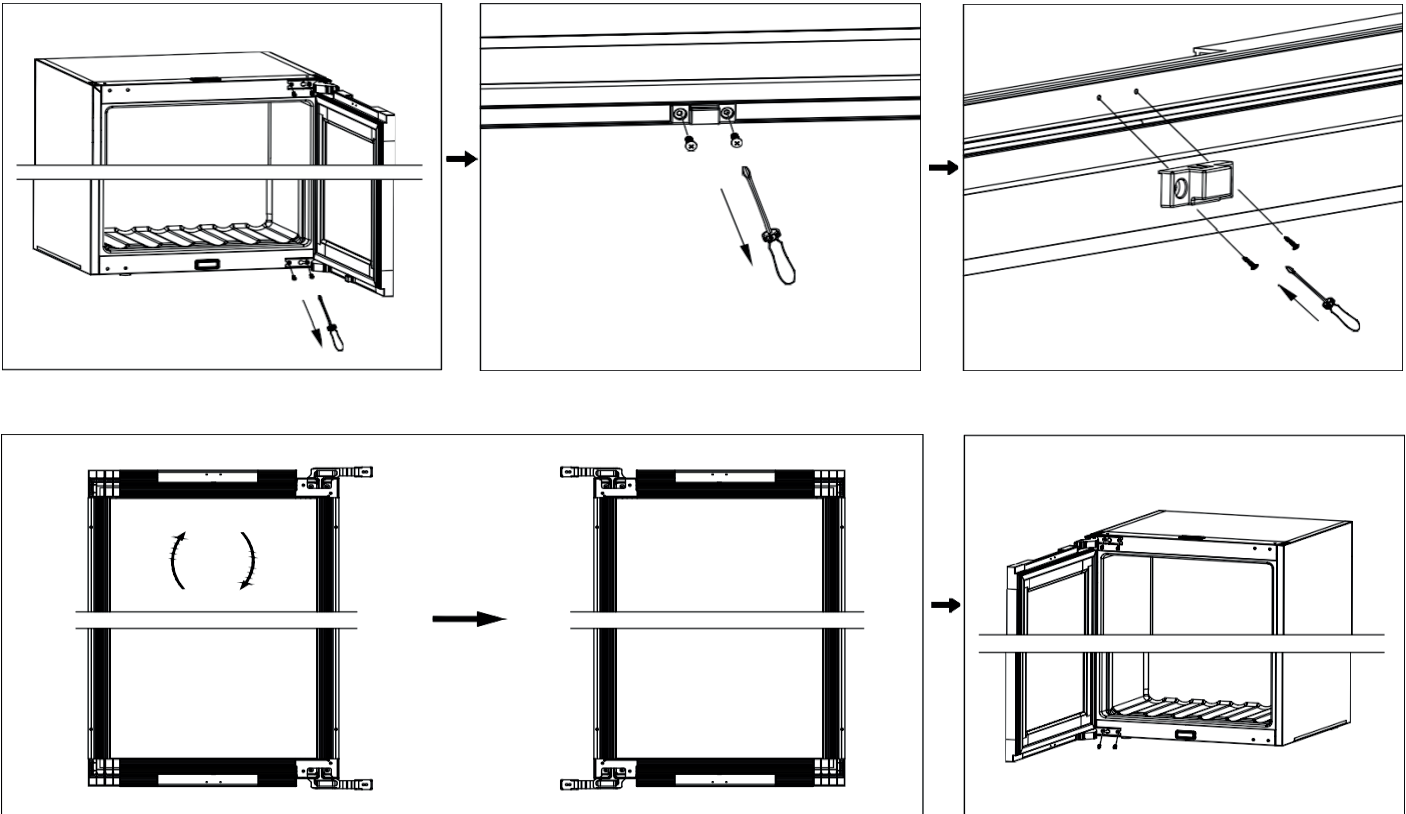
# Installation

## Reversing the Door Swing of Your Appliance WE3-256BI

Depending on the installation position, the opening of the wine cabinet can be switched. If necessary, do so before loading the wine cooler into the cabinet.

Tilt the wine cooler slightly towards the back and support it in a reliable way to ensure that it does not fall over.

1. Provide the necessary tools and unplug the power cord.
2. Remove the four screws on the glass hinge and the upper and lower hinges with tools, and remove the metal frame.
3. Remove 2 screws from the magnet mounting box with tools.
4. Attach the magnet mounting box to the other side of the frame.
5. Rotate the door 180° to secure the door to the case.



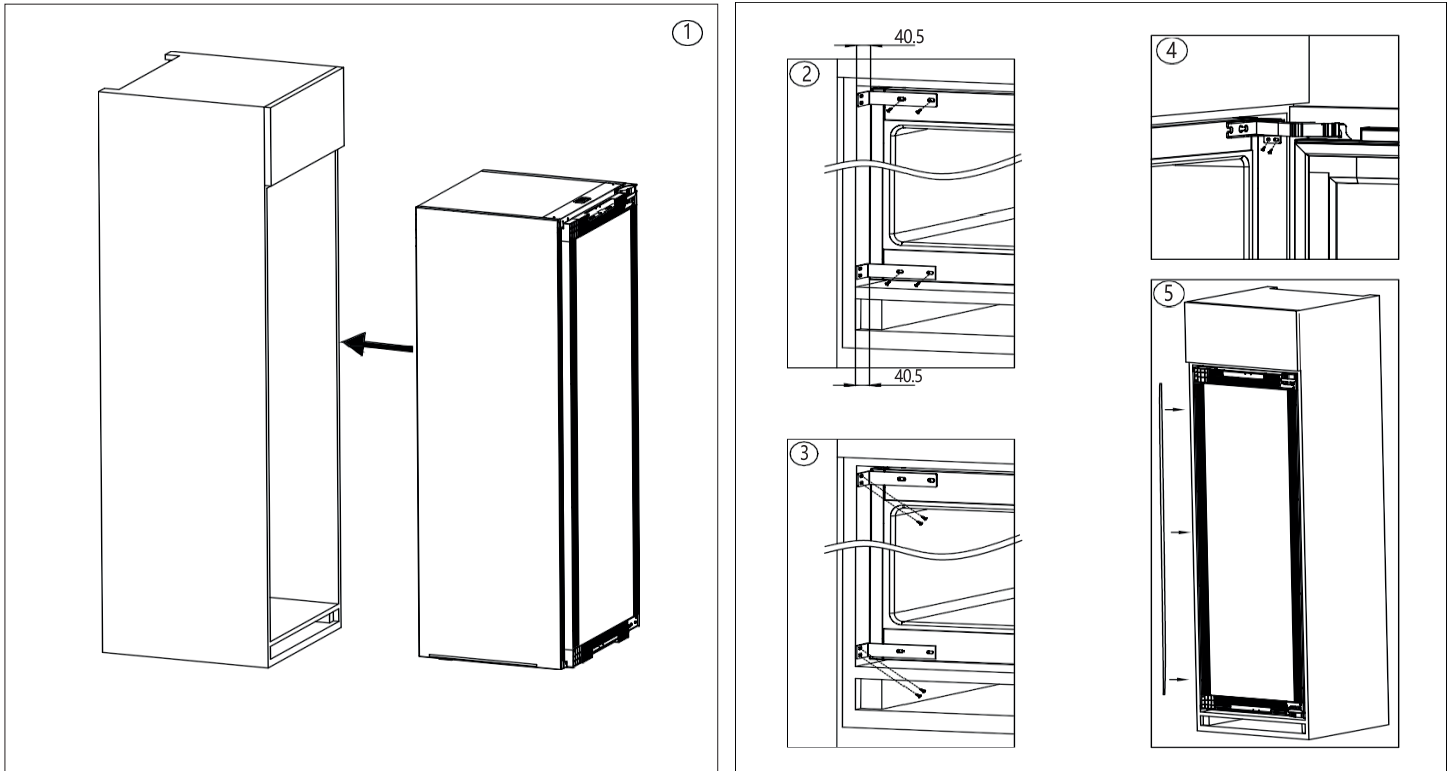
### WARNING

- Be careful to secure the arm during the replacement process to prevent damage to your fingers and the wine cooler if the arm falls when the screw is loosened.
- All of the above operations are performed with the wine cooler powered off, so unplug the wine cooler from the electrical outlet first.

# Installation

## Installation Instructions

1. Push the wine cooler into the cabinet with the hinges against the cabinet.
2. Distance between the front panel of the wine cooler and the outer edge of the cabinet: 40.5mm; attach the pin with M5x13 flange face screws on one side.
3. Attach the pin to the inside of the cabinet with ST3.9x16 threaded screws and install the pin cover.
4. Secure the hinge to the inside of the cabinet with ST3.9x16 screws.
5. Press the sealing strip into the gap between the side of the wine cooler and the cabinet.





# Installation

## Installation Instructions

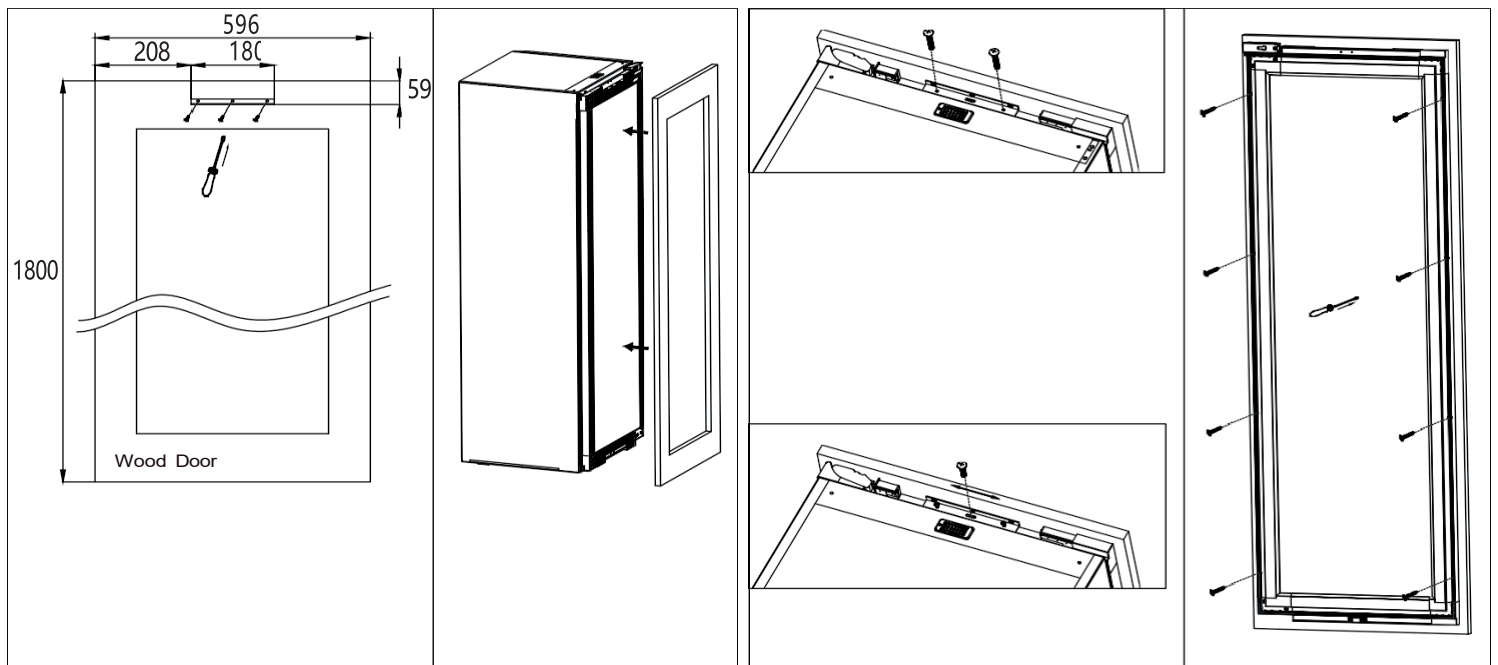
6. Attach the door adjuster to the door panel in advance with ST3.9x16 wood screws according to the dimensions shown in the drawing.

Note: Do not install the door adjuster in the wrong direction.

7. Hang the pre-assembled door panel on the glass door

8. Install M5x30mm screws, make the door panel and glass door assembled together. Install M5x16mm screws, require the screws are not completely locked, at this time the door can be moved from side to side; through the adjustment, so that the door and cabinet left and right center, center the screws after locking.

9. Pull open the door seal, fix the ST4x35 wood threaded screws and fix the glass door to the door panel; install the door seal and you are ready!

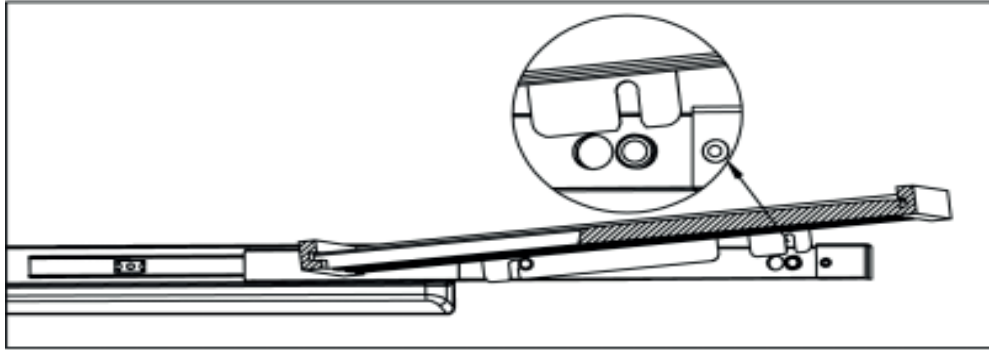




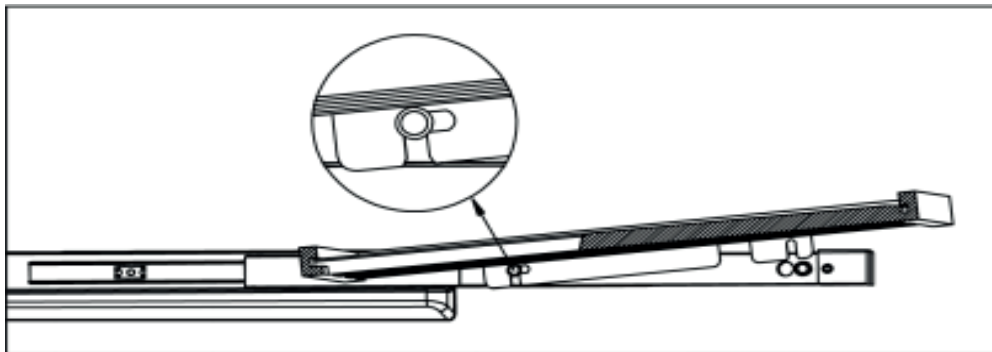
# Installation Instructions

## Removing the Wooden Shelves

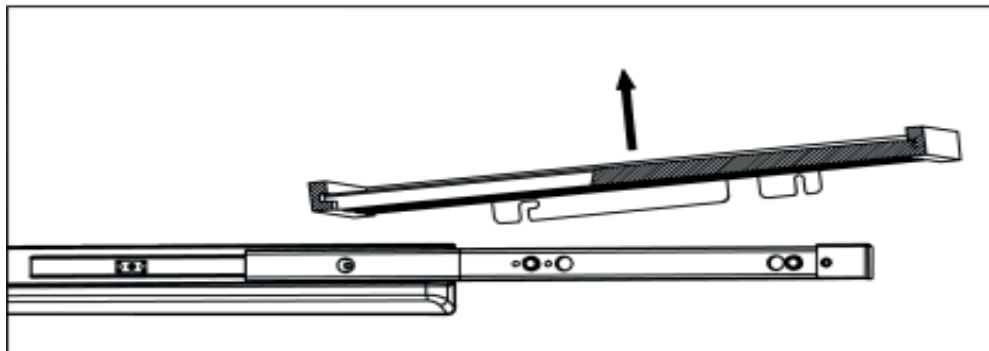
1. Pull the wine rack. Wine rack card slot out of the guide rail fixed column.



2. Pull the wine rack forward. The guide retaining post is stuck in the position indicated in the figure that the retaining.



3. Pull the wine rack to remove.



# Operating Your Appliance

If the unit is unplugged, power lost, or turned off, you must wait 3 to 5 minutes before restarting the unit. If you attempt to restart before this time delay, the appliance may not start and will not keep the last set temperature.

## Using the Control Panel



- |                    |                              |
|--------------------|------------------------------|
| ① Power On/Off     | ② Sabbath Mode               |
| ③ Upper Zone Temp  | ④ Above Zone Temp. Control   |
| ⑤ Middle Zone Temp | ⑥ Middle Zone Temp. Control  |
| ⑦ Lower Zone Temp  | ⑧ below Zone Temp. Control   |
| ⑨ Light Switch     | ⑩ Temp. Display Change °C↔°F |

### NOTE

- When you change the temperature on the panel, the panel displays the current temperature and the temperature on the display will gradually change according to the internal temperature until it reaches the desired temperature. Note that it will take time for the wine cellar to reach the new temperature. This is normal. You do not need to set the desired temperature just because the display does not show your desired temperature.
- If the control panel has moisture or liquid on its surface, it may fail. Wipe the moisture or liquid using a dry cloth, and then try again.
- Power failure memory function  
(after power-on, the Settings remain in the state before power failure)
- Above Zone: 5°C~20°C, initial value 12°C.  
Middle Zone: 5°C~20°C, initial value 12°C.  
Below Zone: 5°C~20°C, initial value 12°C.
- Temperature accuracy: ±1°C

# Operating Your Appliance

## Trouble Code

When a malfunction occurs, contact a service technician for repairs

Explanation	Open Circuit Code	Short Circuit Code
Above Zone In-cabinet probes	E1	E2
Above Zone Frosting probe	E3	E4
Middle Zone In-cabinet probe	E5	E6
Middle Zone Frosting probe	E7	E8
Above Zone In-cabinet probes	E9	E10
Below Zone Frosting probe	E11	E12

### NOTE

1. When there is a fault code, the buzzer will emit "Tick" "Tick" "Tick" three consecutive alarm sounds, the fault code flashes, every 10 seconds for a cycle, and the alarm will be activated .if you want to release the alarm sound.  
If you want to release the alarm sound, press the on/off key.
2. Whenever a key is pressed, the buzzer sounds "Tick".

## Defrosting

The wine cooler is designed with an automatic defrost system. However, on colder settings, some frost may build up. Additionally, the more humid the ambient conditions, the more frost may build up. Keep the door closed as much as possible and avoid opening the door unnecessarily to minimize frost build-up.

If frost is preventing the door from closing properly, you may need to power the unit off until the frost melts (possibly up to 24 hours). Use a soft absorbent towel to dry the unit.



# Care and Maintenance

## Normal Sounds

Your new wine cooler may make sounds that are not familiar to you. Most of the new sounds are normal. Hard surfaces like the floor or walls can make the sounds seem louder than they actually are. The following describes the kinds of sounds that might be new to you and what may be making them.

- ▶ Rattling noises may come from the flow of the refrigerant or the water line.
- ▶ Items stored on top of the wine cooler can also make noises.
- ▶ The high efficiency compressor may make a pulsating or high-pitched sound.
- ▶ Water running from the evaporator to the water bin may make a splashing sound.
- ▶ As each cycle ends, you may hear a gurgling sound due to the refrigerant flowing in your beverage cooler.
- ▶ You may hear air being forced over the condenser by the condenser fan.

## Cleaning the Unit

Periodic cleaning and proper maintenance will ensure efficiency, top performance, and long life. Interior Cleaning

1. Disconnect power to the unit.
2. Open the door and remove the contents and shelves.
3. With a clean cloth, wipe down the interior of the unit.
4. Reinsert the shelves and beverages.
5. Reconnect power to the unit.

### Exterior Cleaning

The door and cabinet may be cleaned with a mild detergent and lukewarm water solution such as two (2) tablespoons of baking soda to one (1) quart of water. Do not use solvent based or abrasive cleaners. Use a soft sponge and rinse with clean water. Wipe with a soft clean towel to prevent water spotting. If the door panel is stainless steel, it can discolor when exposed to chlorine gas and moisture. Clean stainless steel with a cloth dampened with a mild detergent and warm water solution. Never use an abrasive or caustic cleaning agent.



# Care and Maintenance

## Power Failure

Most power failures are corrected within a few hours and should not affect the temperature of your appliance if you minimize the number of times the door is opened. If the power is going to be off for a longer period of time, you need to take the proper steps to protect your contents.

## Moving Your Wine Cooler

- ▶ Remove all items.
- ▶ Securely tape down all loose items (shelves) inside your appliance.
- ▶ Turn the adjustable leg all the way up (clockwise) to the base to avoid damage.
- ▶ Tape the door shut.
- ▶ Be sure the appliance stays secure in the upright position during transportation. Also protect outside of appliance with a blanket, or similar item.

## Energy Saving Tips

- ▶ The appliance should be located in the coolest area of the room, away from heat producing appliances, and out of the direct sunlight.
- ▶ Ensure that the unit is adequately ventilated. Never cover air vents.
- ▶ Only open the door for as long as necessary.

# Troubleshooting

Possible Problem	Possible Cause	Solutions
The appliance does not operate.	Not plugged in.	Ensure the appliance is plugged in and the power outlet has power.
	The appliance is turned off.	Turn on the appliance.
	The circuit breaker tripped or has a blown fuse.	Replace the broken fuse or reset the breaker.
The appliance is not cold enough.	Temperature control setting is too high.	Adjust the set temperature.
	External environment may require a higher setting.	Keep the appliance away from sunshine or other heat sources.
	The door is opened too frequently or for long periods of time.	Close the door tightly and do not open the door too frequently or for a long period of time.
	The door gasket is not sealed properly.	Ensure the door gasket is not loose.
	Demonstration mode may be enabled.	See the Operating Your Appliance section and verify if Demonstration mode is disabled.
	The cooler does not have sufficient ventilation.	Read and follow the "Installation Clearance Requirements" in the Installation Instructions section.
	The cooler has restricted air flow due to too much storage.	Open space in the cabinet to allow air flow.
The appliance turns on and off frequently.	The room temperature is hotter than normal.	Run the refrigerator at the appropriate ambient temperature.
	The door gasket is not sealed properly.	Ensure the door gasket is not loose.
	The door is opened too frequently or for long periods of time.	Close the door tightly and do not open the door too frequently or for a long period of time.

	The cooler does not have sufficient ventilation.	Read and follow the "Installation Clearance Requirements" in the Installation Instructions section.
	The door is not closed completely	Make sure the door is completely closed.
The body of the appliance is electrified.	The unit is not properly grounded.	Contact your local electrician to test your electrical grounding system.

# Troubleshooting

Possible Problem	Possible Cause	Solutions
Frost is forming in the appliance.	The environment is too humid.	The unit uses an 'auto-defrost' system, under certain conditions, manual defrosting may be required. If frost builds up, you can try running the refrigerator on a warmer temperature setting, minimizing the number of times you open the door or unplugging the unit to allow the frost to melt.
	The ambient temperature is too low.	
	The door is being opened too frequently.	
The appliance makes too much noise.	The rattling noise may come from the flow of the refrigerant, which is normal. As each cycle ends, you may hear gurgling sounds caused by the flow of refrigerant in the appliance.	It is normal that as each cooling cycle ends, you may hearing rattling or gurgling sounds caused by the flow of refrigerant in the appliance. The high efficiency compressor may make a pulsating or high pitched sound.
	Contraction and expansion of the inside walls may cause popping and cracking noises.	Some popping or cracking noises are normal. They are caused by expansion and contraction of the inside walls due to temperature changes.
	The unit is not level or is touching another appliance.	Check to make sure the cooler is level and that it is non in contact with another appliance or furniture.
The door will not close properly.	The appliance is not level.	Make sure the appliance is on a level surface.
	The door gasket is not installed correctly.	Make sure the door gasket is properly installed.
	The gasket is dirty.	Clean the door gasket.
	The shelves are out of position.	Install the shelves correctly.